

SIX-STAR™ STORAGE PACK ASSEMBLY INSTRUCTIONS

Tools Needed: 7/16" wrench

Step 1: Unpack and inventory all parts (see Parts List). To ensure proper assembly, it is suggested that you take time to locate and identify each part.

PARTS LIST	
Part	Qty
Door	4
Floor Frame	1
Floor	1
Floor Support Rod	2

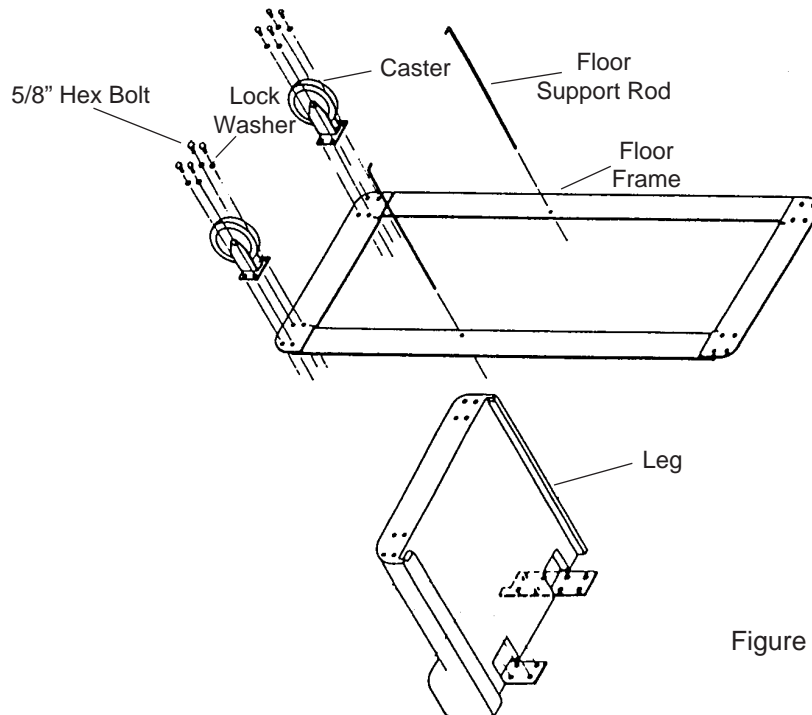


Figure 1

Step 2: If adding storage pack to existing portable food bar, remove sneeze guard and sneeze guard posts.

Step 3: With assistance, turn basin and legs upside down.

Step 4: With casters off, position Floor Frame over legs with door runner track facing basin track on underside of basin (see Figure 1).

Step 5: Two Casters are equipped with brakes. Determine where you would prefer the brakes. The recommended setup is one brake on each end on opposing sides of the bar.

Step 6: Place Caster on one side of Floor Frame (lining holes in caster with holes in Frame and Leg) and attach with four 1/2" Hex Head Bolts (shorter bolts). Repeat procedure for the remaining three casters.

NOTE: If you are installing a Six-Star™ Storage Pack Kit to an existing Portable Food Bar, discard the Impact Plates between the Casters and Legs and replace with the Floor Frame.

Step 7: With assistance, turn basin upright onto legs. Apply the brakes on the two Casters with Brakes.

Step 8: Place Floor inside door tracks with smooth side up. Notch on the inside of panel should be over hole in door track.

Step 9: Insert short end of L-shaped Floor Support Rod and pass a section of the Rod downward until the Rod can be positioned under threaded insert in basin (see Figure 1).

P.O. Box 53006
Oklahoma City, Oklahoma 73152-3006
(405) 475-5600 • FAX (405) 475-5607
1-800-654-8210
Web Site: www.carlislefsp.com
#104803754

European Distribution Center:
Edisonstraat 84, P.O. Box 110
6900 AC Zevenaar, The Netherlands
Tel +31/(0)316-596550 • Telex 45642
FAX +31/(0)316-340168

CARLISLE
FoodService Products

SIX-STAR™ STORAGE PACK ASSEMBLY INSTRUCTIONS



6611 - 6 foot Six★Star™ w/Storage Pack
6621 - 6 foot Tray Slides

- Step 10: Thread a portion of the Floor Support Rod into the insert in the bottom of basin. FINAL ADJUSTMENT OF THESE RODS MUST BE DONE AFTER THE DOORS ARE INSTALLED.
- Step 11: Right door should be installed in rear track with handle slot to right. Insert top of right door in upper rear track and raise until bottom of door will pass over outer track guides. Allow door to drop into rear lower track.
- Step 12: Left door should be installed in front track with handle slot on left side. Insert top of left door in upper front track and raise until bottom of door will pass over outer track guides. Allow door to drop into rear front track.
- Step 13: Thread Floor Support Rods clockwise to raise the center of the track and counter-clockwise to lower the center of the track, until door sits evenly with leg. Repeat on other side of food bar. Additional adjustments may be required if much weight is stored under unit in the storage area.

P.O. Box 53006
Oklahoma City, Oklahoma 73152-3006
(405) 475-5600 • FAX (405) 475-5607
1-800-654-8210
Web Site: www.carlislefsp.com
#104803754

European Distribution Center:
Edisonstraat 84, P.O. Box 110
6900 AC Zevenaar, The Netherlands
Tel +31/(0)316-596550 • Telex 45642
FAX +31/(0)316-340168

CARLISLE
FoodService Products