

## DURATHERM™ INDUCTION CHARGER



DX1411 series  
INDUCTION BASE



### Item Numbers

#### Duratherm Induction Charger

DX2011208 (208V) 3-Phase

#### Bases for Induction System

DX1411003 - Onyx  
DX1411050 - Midnight Blue  
DX1411061 - Cranberry  
DX1411084 - Sage  
DX1411031 - Latte

#### Drying & Storage Racks For Induction Bases

DXIBDRS90 - Holds 90 Induction Bases  
DXIBDRS180 - Holds 180 Induction Bases  
DXIBDRS270 - Holds 270 Induction Bases

#### Replacement Cradle for Storage Rack

DX10251

### Application

The Ideal Induction Charging System for tray line meal delivery systems which delivers 4 trays per minute and can be used for room service applications. The charging cycle of a DX1411 base is 15 seconds and 10 seconds for a DX821 base at nominal voltage.

### Construction

The charger is manufactured in the United States and constructed with the main body of stainless steel and a heavy duty composite surface. The charger is equipped with a microprocessor that performs unique automatic standby/shut-off functions, self diagnostics and incorporates a proprietary automatic sensor for use with Dinex<sup>®</sup> Induction Bases. A visible Information Center displays the portion of the charge that has been completed, user prompts, operational status and trouble conditions.

### Standard Features

- Countertop design, stainless steel housing, heavy duty electronic components, and composite material top, engineered for use in commercial kitchens.
- User-friendly control buttons for ease of use and automatic power control.
- A visible display using LCD technology Information Center and an audible alert.
- Display easily converted to other languages. (French, Spanish, English)
- Automatic standby/shut-off feature.
- Easy-to-clean composite top surface.
- Integral cooling fan keeps internal electronics cool.
- 208V 3-Phase base cycle time approx. 15 seconds. *Note: Fluctuation in voltage may effect heating cycle time.*
- Space efficient 15.3" x 18.3".
- Washable filter.
- Internal surge protection.
- Twist lock plug- NEMA L15-20P.

### Duratherm System

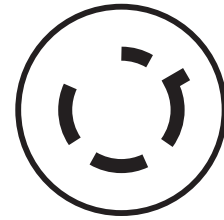
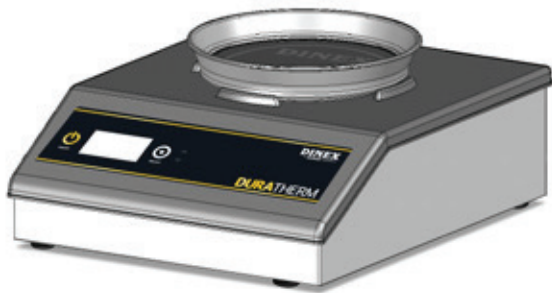
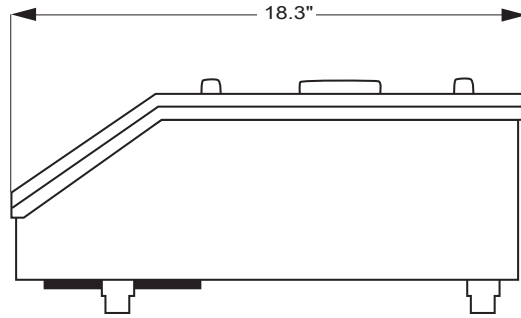
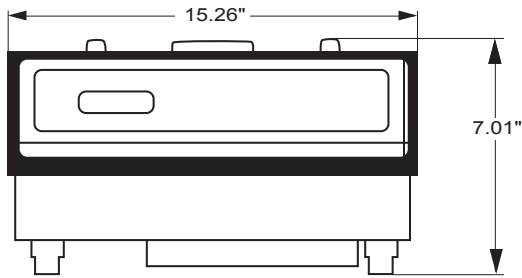
- Senses both, Dinex Duratherm base DX1411 series, and SmarTherm base DX821 series ,automatically and gives the correct amount of energy to get correct temperature every time.
- Microprocessor monitors vital components and runs a performance check on average of 120 times per second. Charger shuts off automatically and displays "trouble codes" codes in plain text enabling user to diagnose or identify minor problems.
- Uses new, durable Dinex Induction Bases

### Warranty

Two years parts and labor.

***We do not accept returns on any Dinex equipment or Dinex custom products. Please contact your local Dinex rep to ensure order accuracy prior to ordering.***

# Duratherm INDUCTION CHARGER



NEMA L15-20P

## Specifications

Item Number	Model Number	Overall Size			Electrical Specifications				Shipping Specs	
		W	D	H	Volts	AMPS	Watt	NEMA Number	Ship Weight	Ship Cube
DX2011208	2011208	15.3" (38.9cm)	18.3" (46.5cm)	7.01" (17.8cm)	208V 3-Phase	20	6700	L15-20P	26 lb.	1.6

Please confirm that you have the most current specification sheet by visiting [www.dinex.com](http://www.dinex.com).  
 Dinex® reserves the right to change specifications and product design without notice.  
 Such revisions do not entitle the buyer to corresponding changes, improvements, additions or replacements for previously purchased equipment.



4711 E Hefner Road  
 Oklahoma City, OK 73131  
 800.654.8210 • 405.475.5600  
[www.dinex.com](http://www.dinex.com)