

Six-Star™ Tabletop Food Bar Assembly Instructions



P.O. Box 53006
Oklahoma City, Oklahoma 73152-3006
(405) 475-5600 • 1-800-654-8210
www.carlislefsp.com
© 2014 Carlisle FoodService Products
#104803751 Rev 08/14

CARLISLE
FOODSERVICE PRODUCTS

Six-Star™ Tabletop Food Bar Assembly Instructions

TOOLS NEEDED

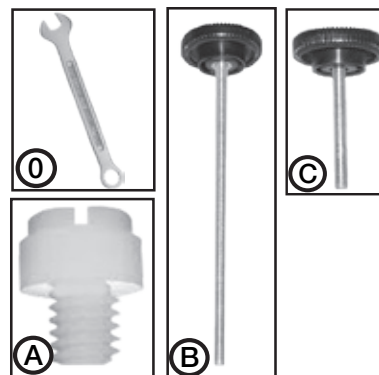
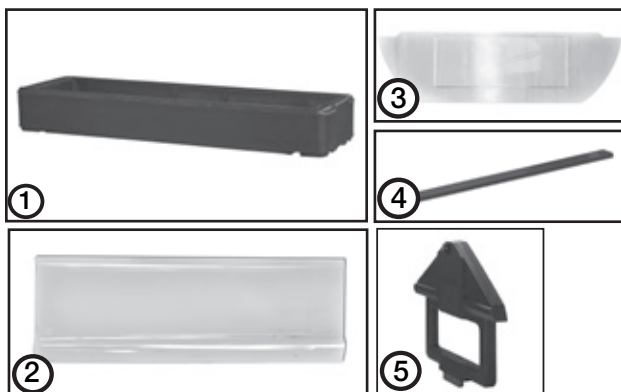
Item	DESCRIPTION	QTY
0	7/16 Wrench (Not Included)	1

PARTS LIST

Item	DESCRIPTION	QTY
1	Pre-assembled Bar	1
2	Acrylic Sneeze Guard Top Panels	2
3	Acrylic Sneeze Guard Side Panels	2
4	Sneeze Guard Ridge Channel	1
5	Sneeze Guard Side Posts	2

HARDWARE LIST

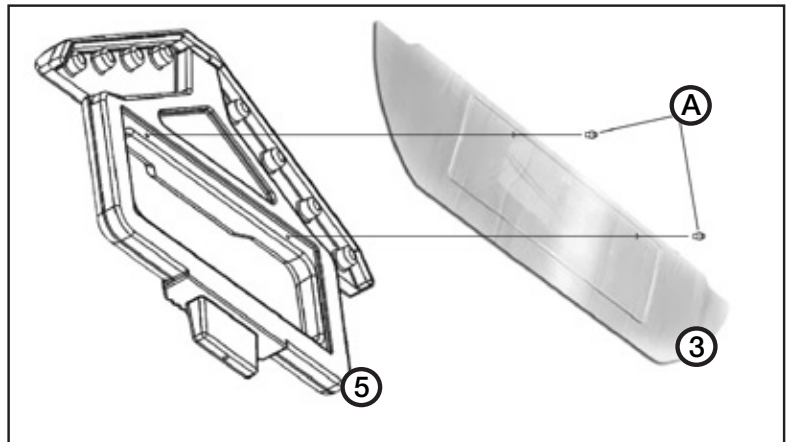
Item	DESCRIPTION	QTY
A	Nylon Thumb Screws	4
B	Long Shield Knobs	2
C	Short Shield Knobs	2



Six-Star™ Tabletop Food Bar Assembly Instructions

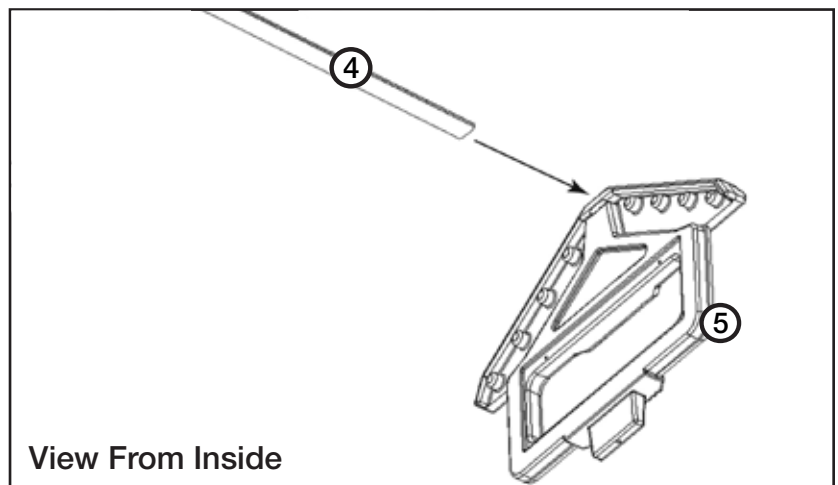
Step 1

- Install Acrylic Guard Side Panel (3) with Nylon Thumb Screw (A) into the inside of each sneeze guard side post (5)
- Hand tighten nylon thumb screw



Step 2

- Two people required
- Insert Sneeze Guard Ridge Channel (4) into the recessed pocket at the top of each Sneeze Guard Side Post (5)



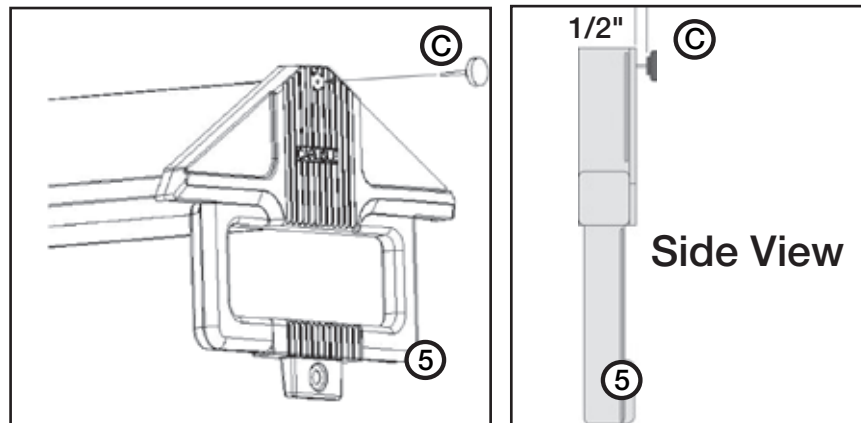
View From Inside

CARLISLE
FOODSERVICE PRODUCTS

Six-Star™ Tabletop Food Bar Assembly Instructions

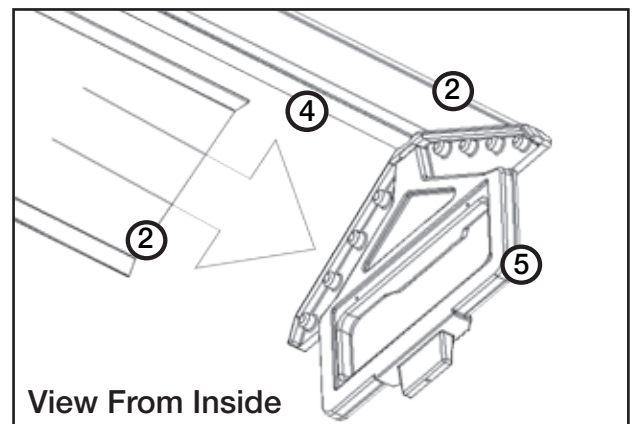
Step 3

- Insert the Short Shield Knob (C) through the Sneeze Guard Side Post (5) and screw it into the Sneeze Guard Ridge Channel (4) (Do not fully tighten, leave a minimum of 1/2" exposed thread per side)



Step 4

- Two people required)
- Insert top corner of Acrylic Sneeze Guard Panels (2) into the lip of the Sneeze Guard Ridge Channel (4)
- Pull open the opposite side of the Sneeze Guard Side Post (5) and continue to insert the Sneeze Guard Panel along the recess
- Repeat the previous steps for the second top shield
- Tighten Short Knob (C)



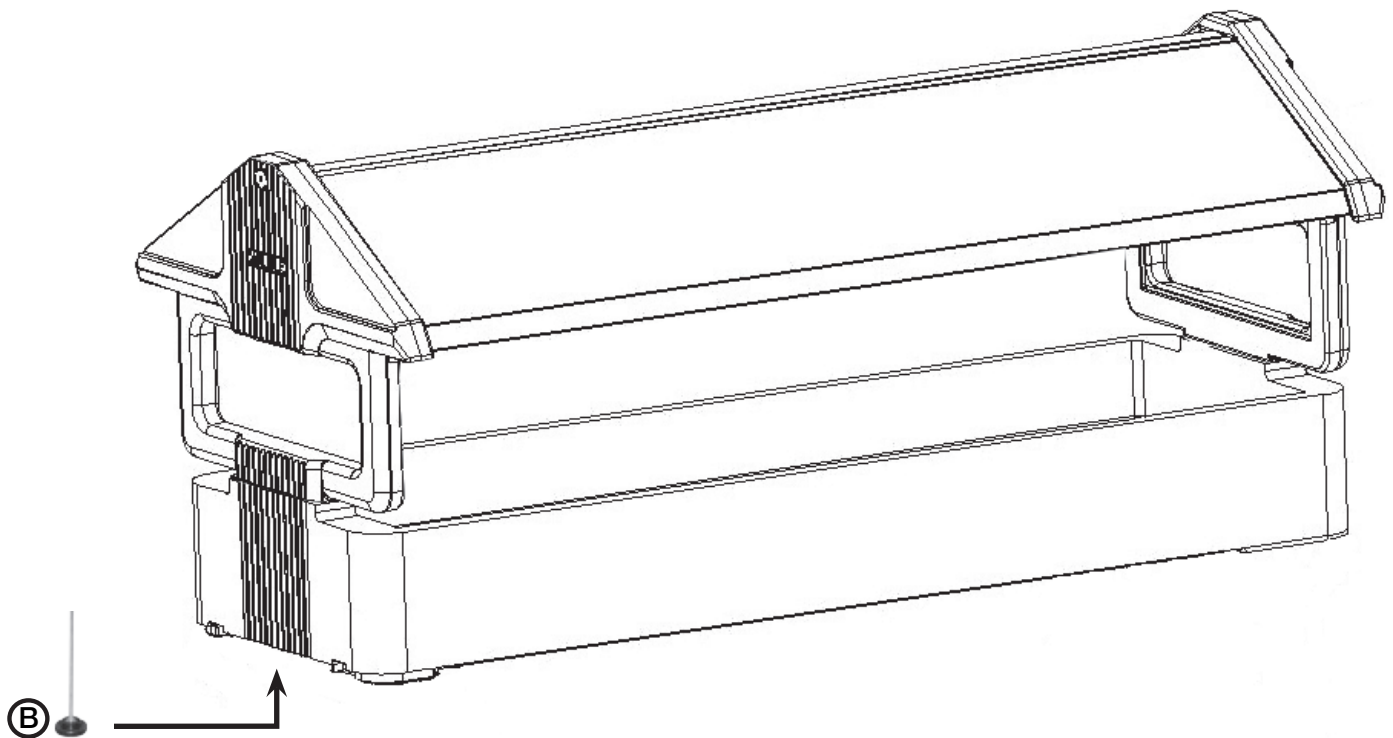
CARLISLE
FOODSERVICE PRODUCTS

Six-Star™ Tabletop Food Bar Assembly Instructions

Step 5

- Install and fully tighten long shield knob on each of Food Bar (B)

Bar Assembly is complete



(B)