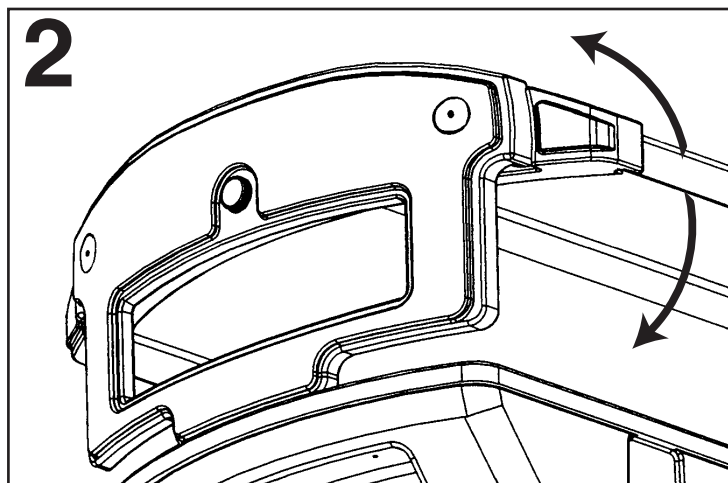
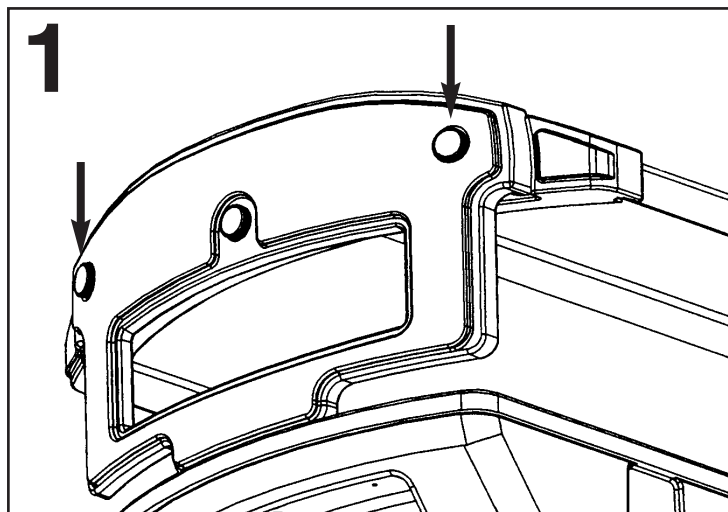


MAXIMIZER™ FOOD BAR SNEEZE GUARD TILTING INSTRUCTIONS



Step 1: With a person at each end, hold the Sneeze Guard Assembly with one hand and remove the two outer most black plastic knobs on each end (refer to diagram).

Step 2: Carefully rotate assembly (will rotate in either direction) and rest assembly on the basin of the Food Bar.

To restore Sneeze Guard to original position, rotate Sneeze Guard Assembly until it is level with the flanges on the Sneeze Guard Posts. Reinstall the outer most black plastic knobs (2 at each end) being careful not to over tighten.

Worldwide Headquarters:
P.O. Box 53006
Oklahoma City, Oklahoma 73152-3006
(405) 475-5600 • FAX (405) 475-5607
1-800-654-8210
#104803808 5/02

European Distribution Center:
Edisonstraat 84, P.O. Box 110
6900 AC Zevenaar, The Netherlands
Tel +31/(0)316-596550 • Telex 45642
FAX +31/(0)316-340168

CARLISLE
FoodService Products