

## ROOM SERVICE TRAY DELIVERY CART - ENCLOSED

Accommodates 13" x 20" Trays, Architectural Plastics Room Service Style Trays and  
Dinex Room Service Tray DXRST152003

Compliant with  
NSF/ANSI Standard 2



### Item Numbers

DXPPSC10  
DXPPSC12  
DXPPSC14

### Pass Thru Model

DXPPSCPT10  
DXPPSCPT12  
DXPPSCPT14

Shown with options

### Application

The Room Service Cart is designed for transporting service in units desiring to provide "room service" or "late tray" style meals. The all stainless steel cart features fixed tray slides with 5.25" spacing and accommodates 2 trays per slide. This cart will accommodate 13" x 21" trays and the DX1089RS03 Room Service Tray as well as the Architectural Plastics BA5B room service tray.

### Construction

Dinex Room Service carts are fabricated with 1" square tubing frame with welded 18-gauge pre-formed side panels/tray slides. The top, bottom and single panel door shall be 18-gauge, stainless steel. Door has recessed door pull with a transport latch. The door has a 270° door swing with magnets to keep the door in an opened position.

### Casters

Four 5" diameter plate-type, 2 fixed, 2 swivel with brakes.

### Standard Features

- All stainless steel
- Pull type door handle
- Transport latch with magnets
- Small footprint
- Plate-type 5" casters, 2 with brakes

### Options

- 1-, 2-, 3- or 4-sided top rail
- Corner bumpers
- Wrap-around bumpers\*

### Warranty

One year parts and labor.

\* Wrap around bumper option adds 2" to the overall width and depth

**We do not accept returns on any Dinex equipment or Dinex custom products.  
Please contact your local Dinex rep to ensure order accuracy prior to ordering.**

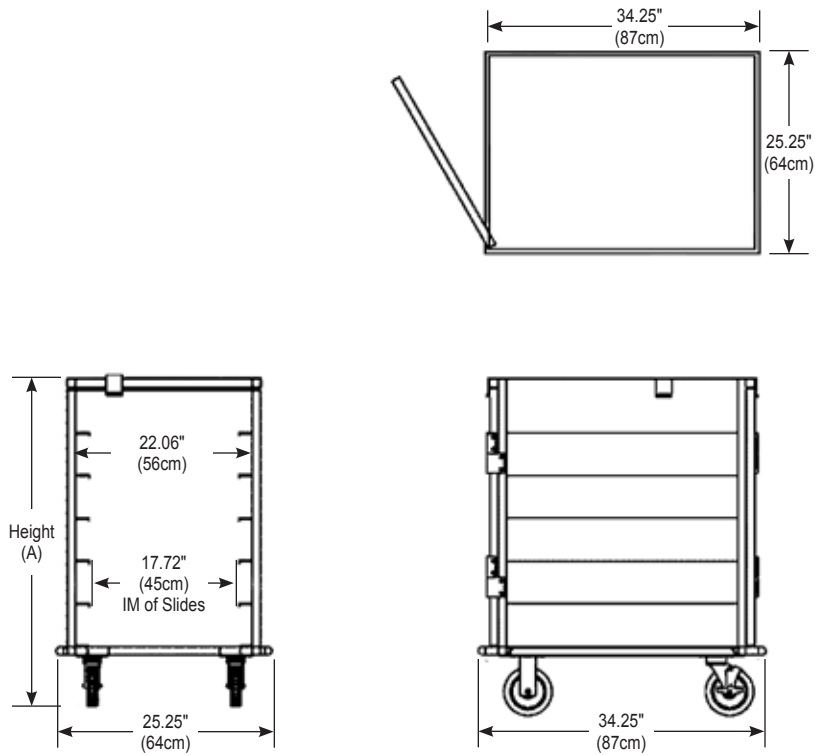
# DINEX®

4711 E. Hefner Road  
Oklahoma City, OK 73131  
800.654.8210 | 405.475.5600  
www.dinex.com

135P - Rev 10/2020

# ROOM SERVICE TRAY DELIVERY CART - ENCLOSED

Accommodates 13" x 20" Trays, Architectural Plastics Room Service Style Trays and Dinex Room Service Tray DXRST152003



## Items and Dimensions

ITEM NUMBER	WIDTH*	DEPTH*	HEIGHT (A)	TRAY SPACING	TRAY CAPACITY	SHIP WEIGHT	SHIP CUBE
DXPPSC10 DXPPSCPT10	25.25" (64cm)	34.25" (87cm)	36" (91cm)	5.25"	10	220 lb. (100kg) 225 lb. (102kg)	23.7
DXPPSC12 DXPPSCPT12	25.25" (64cm)	34.25" (87cm)	41.56" (106cm)	5.25"	12	240 lb. (109kg) 245 lb. (112kg)	26.5
DXPPSC14 DXPPSCPT14	25.25" (64cm)	34.25" (87cm)	46.25" (117cm)	5.25"	14	260 lb. (118kg) 265 lb. (120kg)	29.6

\* Wrap around bumper option adds 2" (5cm) to the overall width and depth

Please confirm that you have the most current specification sheet by visiting [www.dinex.com](http://www.dinex.com).

It is Dinex's policy to offer equipment which is design certified by companies that have been accredited at the federal level by the Occupational Safety and Health Agency (OSHA) and ANSI as a national recognized testing laboratory. These companies include CSA International, Underwriters Laboratories, Edison Testing Laboratories and National Sanitation Foundation. However, a continuing program of product improvement makes it necessary to submit new models to the agencies as they are developed. Consequently, all models may not bear the appropriate labels at all times.

Dinex reserves the right to change specifications and product design without notice. Such revisions do not entitle the buyer to corresponding changes, improvements, additions or replacements for previously purchased equipment.

