

TQ ECONOMY CART – ENCLOSED

Accommodates 14" x 18" and 15" x 20" Trays and Dinex Room Service Tray DXRST152003

Compliant with
NSF/ANSI Standard 2



DXPICT16

Application

The Dinex TQ Economy Cart, single door delivery cart is designed for transport of patient meals to decentralized locations. The all stainless steel cart features fixed tray slides with 5.25" spacing. This cart will accommodate 14"x 18" and 15" x 20" trays and Dinex Room Service Tray DXRST152003, 2 trays per slide.

Construction

Dinex TQ Economy Carts have a 1" 18-gauge tubular frame with welded 18-gauge pre-formed side panels/tray slides. Top, bottom and single panel door is of 18-gauge, stainless steel. Door has recessed door pull with a top mounted heavy duty drop door latch. The door has a 270° swing with magnets to keep the door in an opened position.

Castors

Four 5" diameter plate-type, 2 fixed, 2 swivel with brakes.

Standard Features

- All stainless steel
- Pull type door handle
- Drop latch with magnets
- Small footprint
- Plate-type 5" casters, 2 with brakes

Item Numbers

DXPICT16
DXPICT20
DXPICT24

Pass-Thru Model

DXPICTPT16
DXPICTPT20
DXPICTPT24

Options

- Wrap around bumpers*
- Corner bumpers
- Push handle

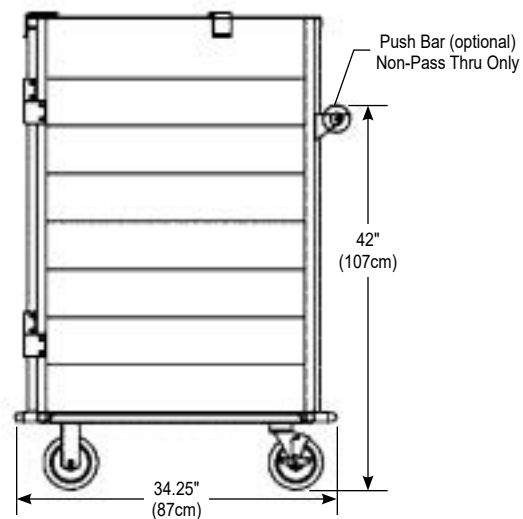
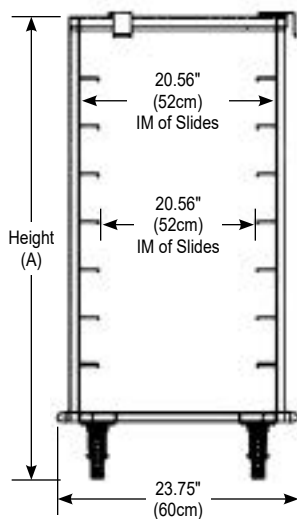
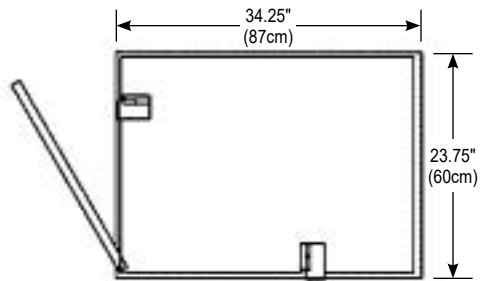
Warranty

One year parts and labor.

* Wrap around bumper option adds 2" to the overall width and depth

TQ ECONOMY CART – ENCLOSED

Accommodates 14" x 18" and 15" x 20" Trays and Dinex Room Service Tray DXRST152003



Items and Dimensions

ITEM NUMBER	WIDTH*	DEPTH*	HEIGHT (A)	TRAY SPACING	TRAY CAPACITY	CART WEIGHT	SHIP WEIGHT	SHIP CUBE
DXPICT16 DXPICTPT16	23.75" (60cm)	34.25" (87cm)	53.87" (137cm)	5.281"	16	173 lbs (78kg) 177 lbs (80kg)	275 lbs (125kg) 285 lbs (129kg)	27.1
DXPICT20 DXPICTPT20	23.75" (60cm)	34.25" (87cm)	65.09" (165cm)	5.281"	20	197 lbs (89kg) 201 lbs (91kg)	295 lbs (134kg) 305 lbs (138.5kg)	32.2
DXPICT24 DXPICTPT24	23.75" (60cm)	34.25" (87cm)	76.28" (194cm)	5.281"	24	221 lbs (100kg) 225 lbs (102kg)	315 lbs (143kg) 325 lbs (147kg)	37.2

* Wrap around bumper option adds 2" (5cm) to the overall width and depth

Please confirm that you have the most current specification sheet by visiting www.dinex.com.

It is Dinex's policy to offer equipment which is design certified by companies that have been accredited at the federal level by the Occupational Safety and Health Agency (OSHA) and ANSI as a national recognized testing laboratory. These companies include CSA International, Underwriters Laboratories, Edison Testing Laboratories and National Sanitation Foundation. However, a continuing program of product improvement makes it necessary to submit new models to the agencies as they are developed. Consequently, all models may not bear the appropriate labels at all times.

Dinex reserves the right to change specifications and product design without notice. Such revisions do not entitle the buyer to corresponding changes, improvements, additions or replacements for previously purchased equipment.

