

SMART•THERM STS II® INDUCTION CHARGER FOR ROOM SERVICE APPLICATION



DX821 series
INDUCTION BASE

Application

The ideal Induction Charging System for room service, meal delivery, and boosting applications. Eco friendly and flameless – operates only when energized by Dinex® base; space efficient.

Construction

Charger shall be manufactured in the United States and constructed with the main body of stainless steel and composite induction friendly materials. Charger shall be equipped with a microprocessor that performs unique, patented and patent pending temperature control, automatic standby/shut-off and self-diagnostics. Charger shall have an automatic sensor for use with Dinex Induction Bases. Charger shall have a digital display panel to show the portion of the charge that has been completed and visible error warnings in several languages with simple operator overrides.

Standard Features

- Countertop design, case made of stainless steel and composite durable induction compatible materials engineered for use in commercial kitchens.
- User-friendly control buttons for ease of use and automatic power control.
- Visible LCD display & audible alert for precise user feedback.
- Automatic standby/shut-off feature.
- Easy-to-clean composite top surface.

Smart•Therm STS II Induction Charger

- Integral cooling fan keeps internal electronics cool.
- Available in (single phase) 120v. Base cycle time approx. 35 seconds. Note: Fluctuation in voltage may affect heating cycle time.
- Space efficient 15.3" x 18.3"
- Cleanable filter
- Internal surge protector
- Multilingual option
 - English
 - French
 - Spanish

Item Numbers

Smart•Therm STS II Induction Charger

- DX1011120RS

9" Bases for Induction System

- DX821003 - Onyx
- DX821008 - Hunter Green
- DX821031 - Latte
- DX821050 - Midnight Blue
- DX821061 - Cranberry
- DX821068 - Plum
- DX821084 - Sage

Drying & Storage Racks For 9" Induction Bases

- DXIBDRS90 - Holds 90 Induction Bases
- DXIBDRS180 - Holds 180 Induction Bases
- DXIBDRS270 - Holds 270 Induction Bases

9" Replacement Cradle for Storage Rack

- DX10251

Smart•Therm STS II System

- Senses Dinex Induction Base automatically and gives the correct amount of energy to get correct temperature every time.
- Microprocessor monitors vital components and runs near continuous performance checks.
- Charger shuts off automatically and displays error codes in plain text enabling user to diagnose or identify minor problems.
- Uses new, durable 9" Dinex Induction Bases.

Warranty

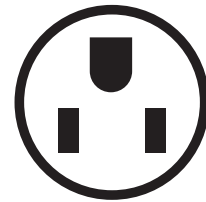
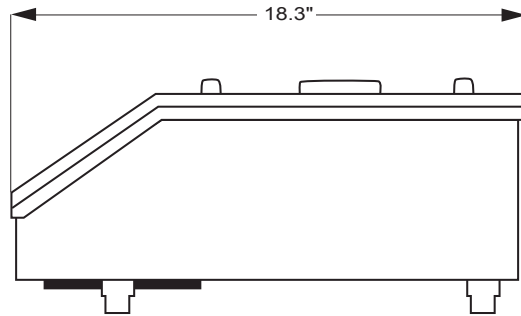
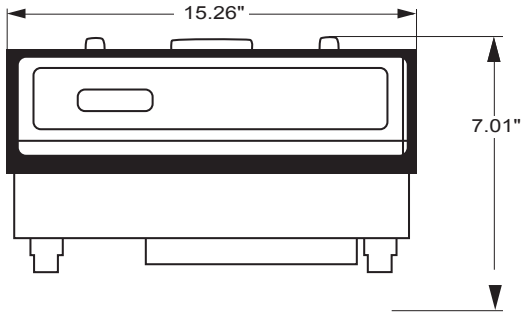
Two years parts and labor.

We do not accept returns on any Dinex equipment or Dinex custom products. Please contact your local Dinex rep to ensure order accuracy prior to ordering.

DINEX®
A CARLISLE COMPANY

4711 E Hefner Road
Oklahoma City, OK 73131
800.654.8210 • 405.475.5600
www.dinex.com

SMART•THERM STS II® INDUCTION CHARGER FOR ROOM SERVICE APPLICATION



NEMA 5-15P

Specifications

Item Number	Model Number	Overall Size			Electrical Specifications			Shipping Specs	
		W	D	H	Volts	AMPS	Watt	Ship Weight	Ship Cube
DX1011120RS	1011120	15.26" (38.8cm)	18.3" (46.5cm)	7.01" (17.8cm)	120V 1-Phase	15	1800	23 lb.	1.6

Please confirm that you have the most current specification sheet by visiting www.dinex.com.
Dinex® reserves the right to change specifications and product design without notice.
Such revisions do not entitle the buyer to corresponding changes, improvements, additions or replacements for previously purchased equipment.