

SMART•THERM™ INDUCTION CHARGER

DX821 series
INDUCTION BASE



Application

The ideal Induction Charging System for demanding foodservice traylines and room service operations. Eco friendly and flameless, operates only when energized by Dinex® base, space efficient.

This equipment is intended for "Industrial Use Only".

Construction

Charger is constructed with the main body of stainless steel and composite induction friendly materials. Charger shall be equipped with a microprocessor that performs unique, patented and patent pending temperature control, automatic standby/shut-off and self-diagnostics.

Charger shall have an automatic sensor for use with Dinex Induction Bases. Charger shall have a digital display panel to show the portion of the charge that has been completed and visible error warnings.

Standard Features

- Countertop design, case made of stainless steel and composite durable induction compatible materials engineered for use in commercial kitchens.
- Visible lighted display & audible alert for precise user feedback.
- Automatic standby/shut-off feature.
- Easy-to-clean composite top surface.
- Preventive maintenance alert
- Automatic boosting function every 30 seconds when base stays on the charger
- Smart – Planning base life indicator

Smart•Therm Induction Charger

- Integral cooling fan keeps internal electronics cool.
- Single unit works on all 208v, 220v, and 240v systems. Base cycle time ranges from 16 to 20 second dependent on supply voltage. Note: Fluctuation in voltage may affect heating cycle time.
- Space efficient 15.5" x 20.5"
- Cleanable filter
- Internal surge protector

Smart•Therm System

Item Numbers

Smart•Therm Induction Charger
DXSMA2081

9" Bases for Induction System

- DX821003 - Onyx
- DX821031 - Latte
- DX821050 - Midnight Blue
- DX821061 - Cranberry
- DX821084 - Sage
- DX821044 - Graphite

Drying & Storage Racks For 9" Induction Bases

DXIBDRS90 - Holds 90 Induction Bases
DXIBDRS180 - Holds 180 Induction Bases
DXIBDRS270 - Holds 270 Induction Bases

9" Replacement Cradle for Storage Rack

- DX10251

- Senses Dinex Induction Base automatically and gives the correct amount of energy to get correct temperature every time.
- Microprocessor monitors vital components and runs near continuous performance checks.
- Charger shuts off automatically and displays error codes in plain text enabling user to diagnose or identify minor problems.
- Uses new, durable 9" Dinex Induction Bases.

Warranty

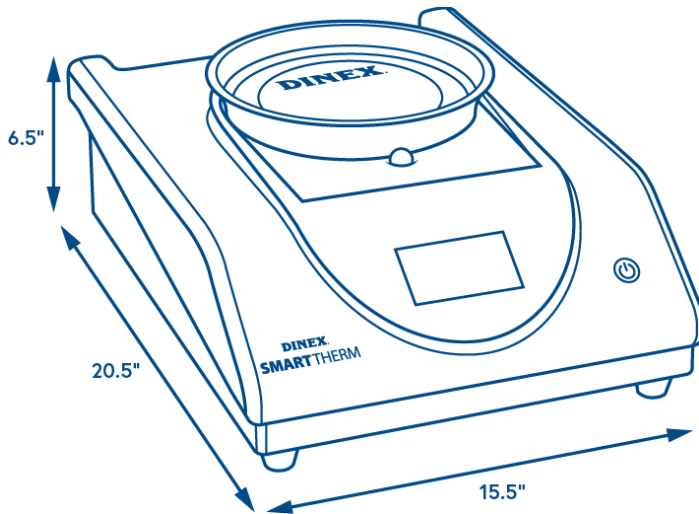
- Two years parts and labor.

We do not accept returns on any Dinex equipment or Dinex custom products. Please contact your local Dinex rep to ensure order accuracy prior to ordering.

DINEX®

4711 E Hefner Road
Oklahoma City, OK 73131
800.654.8210 | 405.475.5600
www.dinex.com

Smart • Therm INDUCTION CHARGER



Nema L6-20P



Specifications

Item Number	Model Number	Overall Size			Electrical Specifications				Shipping Specs	
		W	D	H	Volts	AMPS	Watt	NEMA Number	Ship Weight	Ship Cube
DXSMA2081	SMA2081	15.5" (39.3cm)	20.5" (52.3cm)	6.5" (16.5cm)	208v/220v/240v 1-Phase	15.9	3300W	18 lb.	23.6	2.61

⚠ WARNING

The following practices are prohibited with the charger and bases. Failing to follow these instructions may cause serious personal injuries, including burns or shock from fire or electrocution, or death. It is imperative that you visit our website at www.carlislefsp.com to view a full list of instructions for safe operation of the system.

	Do not put the base in a microwave.	A microwave will damage the base and cause a fire risk.
	Do not stack the bases on the charger. Charge only one base at a time. Do not stack charged bases.	Stacking the bases will damage the bases and cause a fire risk.
	Use dry, room temperature bases. Do not allow water near the charger. Do not use damaged bases. Do not leave bases unattended on charger. Only heat bases in DINEX Induction Chargers.	Allowing water near the charger may cause a fire or electric shock. Heating a base outside DINEX induction chargers may cause a fire.

Please confirm that you have the most current specification sheet by visiting www.dinex.com. Dinex® reserves the right to change specifications and product design without notice. Such revisions do not entitle the buyer to corresponding changes, improvements, additions or replacements for previously purchased equipment.

DINEX®

4711 E Hefner Road
Oklahoma City, OK 73131
800.654.8210 | 405.475.5600
www.dinex.com