

ROOM SERVICE TRAY DELIVERY CART - ENCLOSED

Accommodates Architectural Plastics Room Service Style Trays and
Dinex Room Service Tray DXRST152003

Compliant with
NSF/ANSI Standard 2



DXPPSC322D

Item Numbers

DXPPSC202D
DXPPSC242D
DXPPSC282D
DXPPSC322D

Pass Thru Model

Application

The Room Service two door carts are designed for food tray delivery. The all stainless steel cart features fixed tray slides with 5-1/4" spacing. Two trays per slide.

Construction

The Dinex cart is fabricated with 1" square tubing frame with welded 18-gauge pre-formed side panels/trays slides. The top, bottom and single panel door are constructed of 18-gauge stainless steel. The doors come standard with a recessed door pull and features magnets and transport latch to keep the door closed. The doors have a 270° swing with magnets to keep the door in the opened position.

Casters

Dinex exclusive silent soft tread 4-5" diameter casters 2-fixed 2-swivel with brakes.

Standard Features

- All Stainless Steel
- Pull type door handle
- Transport latch and magnets
- Low profile
- Accommodates Dinex room service tray DXRST152003 and the Architectural Plastics room service tray
- Dinex exclusive silent soft tread casters

Options

- Corner bumpers
- Wrap around bumpers*
- Top rails
- Drains
- 6" & 8" caster upgrades
- Tow hitch

Warranty

One year parts and labor.

* Wrap around bumper option adds 2" (5cm) to the overall width and depth

**We do not accept returns on any Dinex equipment or Dinex custom products.
Please contact your local Dinex rep to ensure order accuracy prior to ordering.**

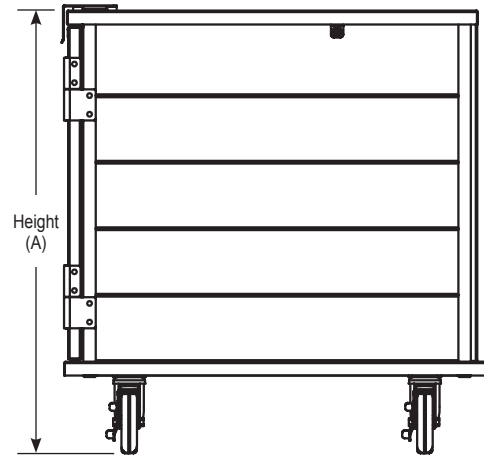
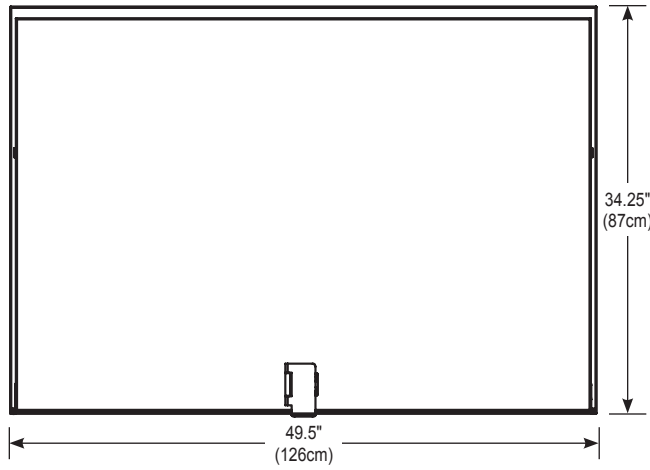
DINEX®

4711 E. Hefner Road
Oklahoma City, OK 73131
800.654.8210 | 405.475.5600
www.dinex.com

160P - Rev 10/2020

ROOM SERVICE TRAY DELIVERY CART - ENCLOSED

Accommodates Architectural Plastics Room Service Style Trays and
Dinex Room Service Tray DXRST152003



Items and Dimensions

ITEM NUMBER	WIDTH*	DEPTH*	HEIGHT (A)	SHIP WEIGHT	SHIP CUBE	TRAY SPACING	TRAY CAPACITY
DXPPSC202D DXPPSCPT202D	49.5" (126cm)	34.25" (87cm)	35.60" (90cm)	300 lbs (136kg) 310 lbs (141kg)	33	5.25" (13cm)	20
DXPPSC242D DXPPSCPT242D	49.5" (126cm)	34.25" (87cm)	41.56" (106cm)	320 lbs (145kg) 330 lbs (150kg)	38	5.25" (13cm)	24
DXPPSC282D DXPPSCPT282D	49.5" (126cm)	34.25" (87cm)	47.09" (120cm)	330 lbs (150kg) 340 lbs (154kg)	44.4	5.25" (13cm)	28
DXPPSC322D DXPPSCPT322D	49.5" (126cm)	34.25" (87cm)	52.62" (134cm)	340 lbs (154kg) 350 lbs (154kg)	49.25	5.25" (13cm)	32

* Wrap around bumper option adds 2" (5cm) to the overall width and depth

Please confirm that you have the most current specification sheet by visiting www.dinex.com.

It is Dinex's policy to offer equipment which is design certified by companies that have been accredited at the federal level by the Occupational Safety and Health Agency (OSHA) and ANSI as a national recognized testing laboratory. These companies include CSA International, Underwriters Laboratories, Edison Testing Laboratories and National Sanitation Foundation. However, a continuing program of product improvement makes it necessary to submit new models to the agencies as they are developed. Consequently, all models may not bear the appropriate labels at all times.

Dinex reserves the right to change specifications and product design without notice. Such revisions do not entitle the buyer to corresponding changes, improvements, additions or replacements for previously purchased equipment.



DINEX®

4711 E. Hefner Road
Oklahoma City, OK 73131
800.654.8210 | 405.475.5600
www.dinex.com