

THERMAL•AIRE III™ CART



Item Numbers

Junior Cart

- DXTAIII4792020 - 20 tray capacity
- DXTAIII4792024 - 24 tray capacity

Senior Cart

- DXTAIII4792026 - 26 tray capacity
- DXTAIII4792030 - 30 tray capacity

Application

The Thermal•Aire III cart has been designed to mate with the Thermal•Aire III docking station during the cold holding and rethermalization phase of the food delivery process. Combining state-of-the-art precision air convection, and simultaneous refrigeration, the Thermal•Aire III system optimizes flexibility and simplicity of operation, while enhancing food quality, presentation, and the ability to expand menu choices. Assembled meal trays are stored in meal delivery carts under forced cold air refrigeration until the rethermalization process begins. During the rethermalization process, hot and cold food items are brought to optimal temperatures for safe and appetizing meal presentations. Dinex advanced technology makes the process safe, simple to use, and highly cost effective.

The Thermal•Aire III cart is divided into two chambers:

- A cold chamber for the foods that are to remain chilled
- A hot chamber for the meal items that are to be served hot

The Thermal•Aire III cart is a single tray system, which has an insulated center wall that forms a barrier, separating hot foods from cold foods when placed in the cart. This allows individual meals to be gently rethermed, while keeping cold items perfectly chilled. The advanced design allows variable positioning of flat trays, to increase or decrease hot/cold side.

Standard Features

- Available in 2 sizes – The Junior (20/24 tray capacity) and Senior (26/30 tray capacity)
- Accommodates a full select menu
- Standard Tray: 13" x 21"
- Accommodates wide array of dishware (china, high-heat plastic, paper or approved disposable)
- Ideal for serving satellite sites
- Constructed of stainless steel
- No electrical components, mechanical devices or wiring in carts
- Easy to clean and sanitize
- Ergonomic, lightweight and easily maneuverable with holding handles and top rail

- Divided hot & cold chambers with:
 - Insulated middle wall with automatic Aire Dams™
 - Removable racks (x2)
- 6.25" and 8" Reslex® non-marking casters - 2 fixed, 2 swivel with brakes
- Single, non-marking high impact bumpers
- Stainless steel top rail
- Spring loaded door latches
- Interchangeable door gaskets

Options

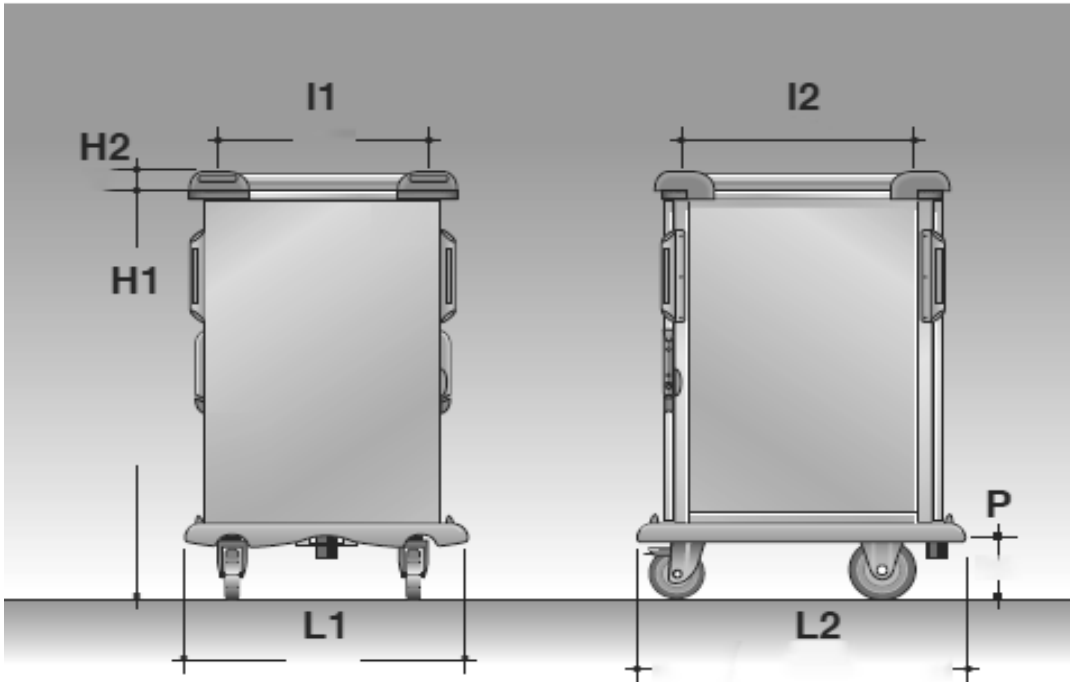
- Retractable or non-retractable towbar
- Key locking device for security
- Identification plate holder
- Transport door lock kit for satellite applications
- Flat trays (13" x 21")
- Antimicrobial trays (13" x 21")

Warranty

One year parts and labor.

We do not accept returns on any Dinex equipment or Dinex custom products. Please contact your local Dinex rep to ensure order accuracy prior to ordering.

THERMAL•AIRE III™ CART



Items and Dimensions

ITEM NUMBER	DESCRIPTION	TRAY SPACING	WIDTH L1	DEPTH L2	HEIGHT without rails H1	HEIGHT with rails H2	WEIGHT	CS WT/CUBE
DXTAIII4792020	Junior Cart 20 Tray Capacity	3.5" (9.0cm)	31.3" (79.5cm)	36.2" (92.0cm)	52.1" (132.5cm)	54.3" (138.0cm)	332 lb (150kg)	353.00/48.00 (160kg/1.38m ³)
DXTAIII4792024	Junior Cart 24 Tray Capacity	2.9" (7.4cm)	31.3" (79.5cm)	36.2" (92.0cm)	52.1" (132.5cm)	54.3" (138.0cm)	332 lb (150kg)	353.00/48.00 (160kg/1.38m ³)
DXTAIII4792026	Senior Cart 26 Tray Capacity	3.5" (9.0cm)	31.3" (79.5cm)	36.2" (92.0cm)	61.2" (155.5cm)	63.4" (161.0cm)	391 lb (177kg)	412.00/53.35 (187kg/1.44m ³)
DXTAIII4792030	Senior Cart 30 Tray Capacity	2.9" (7.4cm)	31.3" (79.5cm)	36.2" (92.0cm)	61.2" (155.5cm)	63.4" (161.0cm)	391 lb (177kg)	412.00/53.35 (187kg/1.44m ³)

Cart Options

DXTAIII4794004 – Telescopic tow bar
 DXTOWHITCHNR-2 – Swivel tow bar device, non-retractable
 DXTAIII4794010 - 4 Stainless steel casters
 DXTAIII4794012 – 6 Casters, 2 swivel with brake
 DXTAIII4794013 – 6 Casters with central brake
 DXTAIII4794014 – 6 Stainless steel casters with central brake
 DXTAIII4794015 – 4 Casters with central brake
 DXTAIII4754021 – Secondary door latch TAIII cart (Set of 2)
 DXTAIII4794020 – Door latch with lock for transportation
 DXTAIII4794021 – Lockable door latch with triangular key
 DXTAIII4794040 – Plastic side protection

Cart Accessories

Antimicrobial Patient Trays 13" x 21" flat tray
 DXSC1321MB - Antibacterial 13" x 21" flat tray

Patient Trays 13" x 21" flat tray
 DXSC153100223 - 13" x 21" flat tray

Please confirm that you have the most current specification sheet by visiting www.dinex.com.
 Dinex® reserves the right to change specifications and product design without notice.
 Such revisions do not entitle the buyer to corresponding changes, improvements, additions or replacements for previously purchased equipment.