

VALUE LINE HOT FOOD COUNTER

ValuXpress®



Item Numbers

- DXDVLHF2
- DXDVLHF3
- DXDVLHF2SL
- DXDVLHF3SL

DXDVLHF3
Shown with optional overhead
and under shelves



Application

The ValuXpress Value Line Hot Food Counter offers an economical alternative to the way you present your food.

Construction

General: The Dinex Value Line Hot Food Units have a 16-gauge stainless steel top with 1-1/2" turn down on all sides. The legs are 1-5/8" stainless steel and include manifold drains.

Heated Wells: Individual wells are deep drawn stainless steel 12" x 20" x 6 1/2" deep with covered corners. Wells are insulated with high density fiberglass. Additional non-conductive heat barrier is also provided to seal and isolate heat wells from top surface.

Casters: The Dinex Value Line Hot Food Units are provided with adjustable feet. Optional 5" diameter, heavy-duty, swivel casters two fitted with brakes are available.

Heating System: Each well is heated by means of a 240v/1200 watt or 208v/1000 watt heating system. The Dinex Hot food counters have individual infinite controls for each well. Each unit is provided with a 10' cord and plug.

Options

- Drop down work shelf
- Overhead shelf
- Under shelf
- Casters
- 3-Bar Tray slide

Warranty

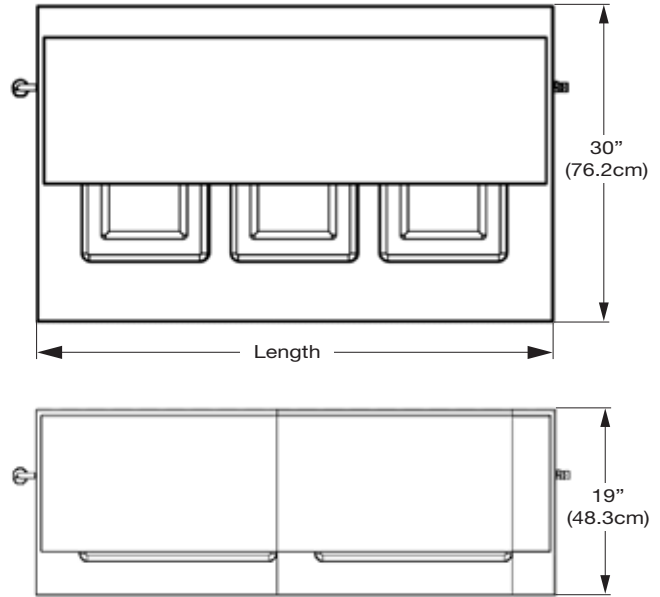
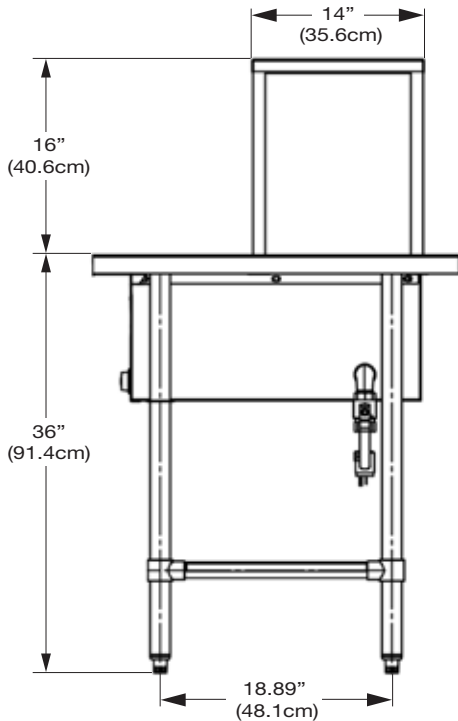
One year parts and labor.

We do not accept returns on any Dinex equipment or Dinex custom products. Please contact your local Dinex rep to ensure order accuracy prior to ordering.

DINEX®
A CARLISLE COMPANY

4711 E Hefner Road
Oklahoma City, OK 73131
800.654.8210 • 405.475.5600
www.dinex.com

VALUE LINE HOT FOOD COUNTER



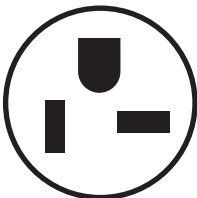
Item Number: DXDVLHF2SL



Items and Dimensions

ITEM NUMBER	MODEL NUMBER	LENGTH	DEPTH	HEIGHT	WATTS		AMPS		NEMA NUMBER	SHIP WEIGHT
					240v	208v	240v	208v		
DXDVLHF2	DVLHF/2	35" (88.9cm)	30" (76.2cm)	36" (91.4cm)	2400	2000	10	9.6	6-20P	145 lb. (65.8kg)
DXDVLHF3	DVLHF/3	49" (124.5cm)	30" (76.2cm)	36" (91.4cm)	3600	3000	15	14.4	6-20P	190 lb. (86.2kg)
DXDVLHF2SL	DVLHF/2SL	53" (134.6cm)	19" (48.3cm)	36" (91.4cm)	2400	2000	10	9.6	6-20P	145 lb. (65.8kg)
DXDVLHF3SL	DVLHF/3SL	77" (195.6cm)	19" (48.3cm)	36" (91.4cm)	3600	3000	15	14.4	6-20P	190 lb. (86.2kg)

PLUG CONFIGURATION



NEMA 6-20P

Please confirm that you have the most current specification sheet by visiting www.dinex.com.
Dinex® reserves the right to change specifications and product design without notice.
Such revisions do not entitle the buyer to corresponding changes, improvements, additions or replacements for previously purchased equipment.



4711 E Hefner Road
Oklahoma City, OK 73131
800.654.8210 • 405.475.5600
www.dinex.com