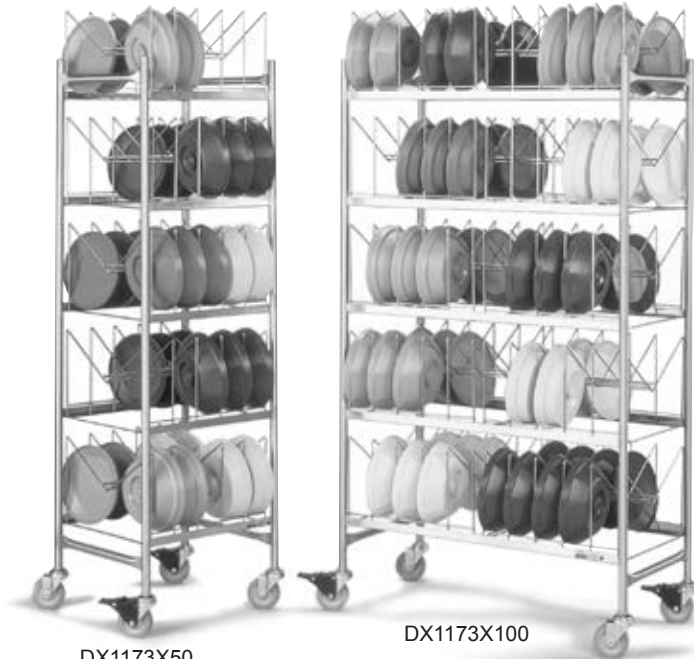


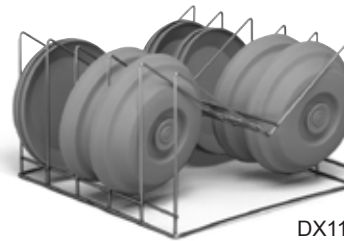
## DOMESTIC STORAGE & DRYING RACKS

Compliant with  
NSF/ANSI Standard 2



DX1173X50

DX1173X100



DX1173XC10

### Item Numbers

DX1173X50  
DX1173X80  
DX1173X100

### Cradle Insert

DX1173XC10

### Application

The Drying and Storage Carts come fully assembled and ready to use. The frame is constructed of 1" tubular stainless steel for light weight and maximum strength. Cradle supports are 14 gauge welded and polished stainless steel. Cradles are uncoated stainless steel, and will not chip, split or corrode.

### Construction

Frame: 16-gauge stainless steel upright frame, 1" diameter

Cradle Support: 14-gauge stainless steel angle bars and 1" stainless steel center supports to hold removable cradle inserts (shipped with cart)

Casters: Four-5" swivel casters: Two have locking brakes

### Features

- Industrial-strength swivel-stem casters provide easy maneuverability. Locking wheels on 2 casters will secure cart in place.
- Carts feature a unique cradle design for easy loading, efficient drying and storage.
- Cradles are removable for easier ware washing in dish machine.
- Dry and store combinations for domes, insul-bases and underliners on the same cart for convenient storage, transport and tray make-up.
- Three sizes are available to meet your space requirements and storage needs.

### Warranty

One year parts and labor.

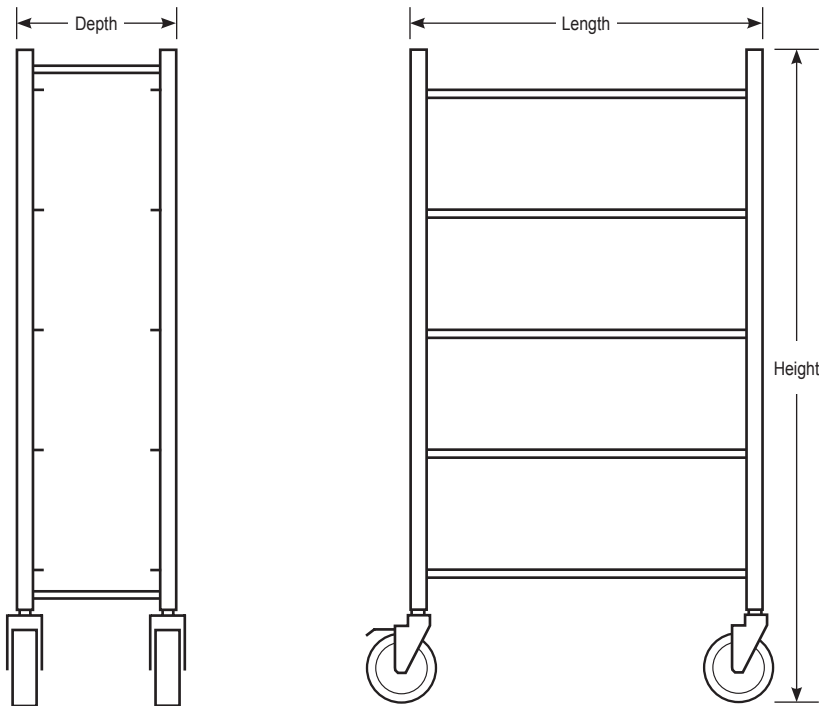
*We do not accept returns on any Dinex equipment or Dinex custom products. Please contact your local Dinex rep to ensure order accuracy prior to ordering.*

# DINEX®

4711 E. Hefner Road  
Oklahoma City, OK 73131  
800.654.8210 | 405.475.5600  
www.dinex.com

Rev 03/2020

# DOME STORAGE & DRYING RACKS

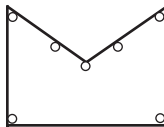



## Items and Dimensions

ITEM NUMBER	LENGTH	DEPTH	HEIGHT	WITH CRADLE	CRADLE SPACING	SHELF SPACING	NUMBER OF CRADLES	DOMES/ UNDERLINERS PER CRADLE	TOTAL CAP. DOMES/ UNDERLINERS	SHIP WEIGHT	SHIP CUBE
DX1173X50	19.5" (50cm)	20.25" (51cm)	73" (185cm)	79" (201cm)	3.5" (9cm)	13" (33cm)	5	10/20	50/100	115 lb. (52.2kg)	16.68
DX1173X80	40" (102cm)	20.25" (51cm)	59" (150cm)	65" (165cm)	3.5" (9cm)	13" (33cm)	8	10/20	80/160	125 lb. (56.8kg)	27.66
DX1173X100	40" (102cm)	20.25" (51cm)	73" (185cm)	19" (201cm)	3.5" (9cm)	13" (33cm)	10	10/20	100/200	145 lb. (65.8kg)	34.22

## Cradle Insert

ITEM NUMBER	LENGTH	DEPTH	HEIGHT
DX1173XC10	18"	17.5"	10.5"

Stainless steel cradle insert 14-gauge (uncoated) stainless steel

Please confirm that you have the most current specification sheet by visiting [www.dinex.com](http://www.dinex.com).

It is Dinex's policy to offer equipment which is design certified by companies that have been accredited at the federal level by the Occupational Safety and Health Agency (OSHA) and ANSI as a national recognized testing laboratory. These companies include CSA International, Underwriters Laboratories, Edison Testing Laboratories and National Sanitation Foundation. However, a continuing program of product improvement makes it necessary to submit new models to the agencies as they are developed. Consequently, all models may not bear the appropriate labels at all times.

Dinex reserves the right to change specifications and product design without notice. Such revisions do not entitle the buyer to corresponding changes, improvements, additions or replacements for previously purchased equipment.



# DINEX®

4711 E. Hefner Road  
Oklahoma City, OK 73131  
800.654.8210 | 405.475.5600  
[www.dinex.com](http://www.dinex.com)