

ECONOLINE RACKS

Compliant with
NSF/ANSI Standard 2



Item Numbers

DXP506
DXP506M
DXP509
DXP512
DXPR518
DXP520
DXP518S
DXP520S
DXP505MT

Dinex Econoline Racks provide strength and excellent versatility at an economical price. Featuring all-aluminum construction and welded panels, these racks have double-welded side glides for added strength and rigidity. They come in knockdown versions for economical shipping, but are also available welded.

Sturdy Tray Supports

- .063" thick aluminum extruded glides
- 1" x 1.5" ledge angles
- Welded on front and back - twice as many welds as competitors

Tie Bars

- 0.50" extruded aluminum tie bar keeps rack square
- Adds rigidity and stability to rack
- Two per unit

Dimensions

DXP506 – 65"H x 21"W x 26"D
DXP506M – 32"H x 21"W x 26"D
DXP509 – 65"H x 21"W x 26"D
DXP512 – 71"H x 21"W x 26"D
DXPR518 – 65"H x 21"W x 26"D
DXP520 – 71"H x 21"W x 26"D
DXP518S – 65"H x 28.5"W x 18"D
DXP520S – 71"H x 28.5"W x 18"D
DXP505MT – 26.5"H x 21"W x 26"D

Heavy-Duty Casters

- 5" x 1.25" sealed wheel stem casters
- Delrin bearing, each with 350 lbs. capacity
- Maximum resistance to chemicals, acids, bases, alcohol, water and steam
- Maximum low temperature flexibility for superior performance, even in freezing temperatures

Warranty

One year parts and labor.

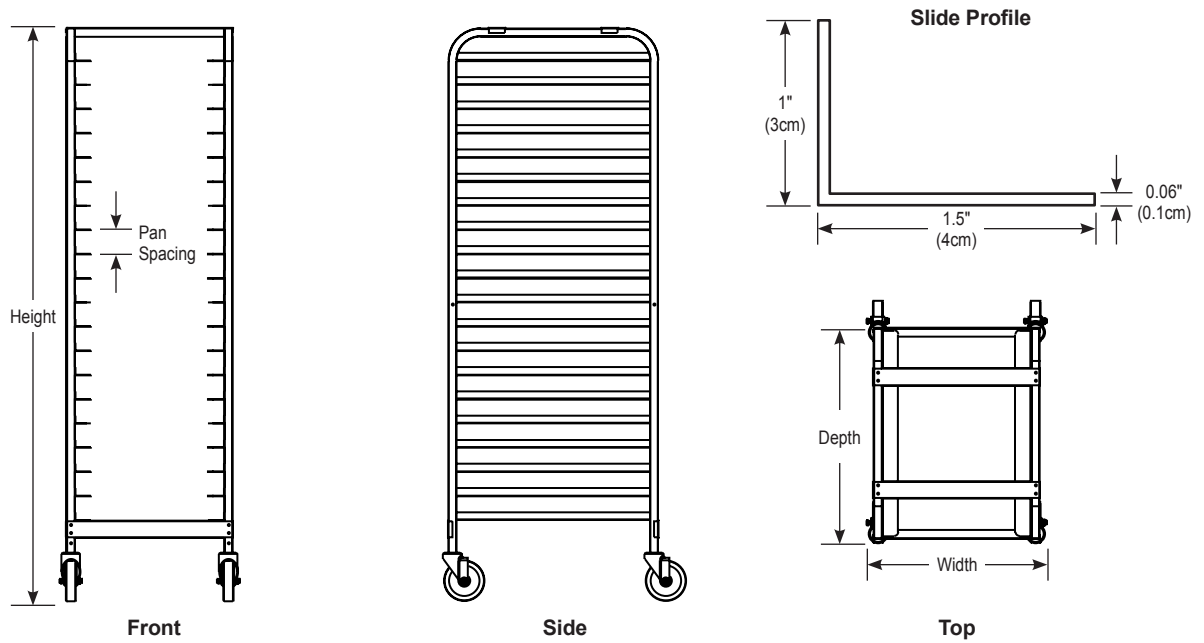
*We do not accept returns on any Dinex equipment or Dinex custom products.
Please contact your local Dinex rep to ensure order accuracy prior to ordering.*

DINEX®

4711 E. Hefner Road
Oklahoma City, OK 73131
800.654.8210 | 405.475.5600
www.dinex.com

Rev 03/2020

ECONOLINE RACKS



Items and Dimensions

| ITEM NUMBER | DESCRIPTION | WIDTH | DEPTH | HEIGHT* | SLIDE SPACING | MAX PAN CAPACITY (18" X 26" PAN) | SHIP WEIGHT | SHIP CUBE |
|-------------|------------------------------|--------------|------------|--------------|---------------|----------------------------------|---------------|-----------|
| DXP506 | Knock Down End Load | 21" (53cm) | 26" (66cm) | 65" (165cm) | 9" (23cm) | 6 | 35 lbs (16kg) | 20.54 |
| DXP509 | Knock Down End Load | 21" (53cm) | 26" (66cm) | 65" (165cm) | 6" (15cm) | 9 | 35 lbs (16kg) | 20.54 |
| DXP512 | Knock Down End Load | 21" (53cm) | 26" (66cm) | 71" (180cm) | 5" (13cm) | 12 | 35 lbs (16kg) | 22.43 |
| DXP520 | Knock Down End Load | 21" (53cm) | 26" (66cm) | 71" (180cm) | 3" (8cm) | 20 | 35 lbs (16kg) | 22.43 |
| DXP506M | Knock Down End Load | 21" (53cm) | 26" (66cm) | 32" (81cm) | 3" (8cm) | 6 | 22 lbs (10kg) | 10.11 |
| DXPR518 | Knock Down Roll-In End Load | 21" (53cm) | 26" (66cm) | 65" (165cm) | 3" (8cm) | 18 | 35 lbs (16kg) | 20.54 |
| DXP505MT | Knock Down Tabletop End Load | 21" (53cm) | 26" (66cm) | 26.5" (67cm) | 3" (8cm) | 5 | 18 lbs (9kg) | 8.37 |
| DXP518S | Knock Down Side Load | 28.5" (72cm) | 18" (46cm) | 65" (165cm) | 3" (8cm) | 18 | 35 lbs (16kg) | 18.96 |
| DXP520S | Knock Down Side Load | 28.5" (72cm) | 18" (46cm) | 71" (180cm) | 3" (8cm) | 20 | 35 lbs (16kg) | 20.71 |

* Height includes casters

Custom sizes and glide spacing available

- All racks are shipped knocked down, standard. Racks are available welded for an additional charge. Please specify on purchase order.

- Tabletop model does not have casters

- Approximate box dimensions: 66.5" x 29" x 5" Knock-down; 71.5" x 23" x 29" Welded

- Typical freight class: 125 Knock-down; 100 Welded

Options

| ITEM NO | DESCRIPTION |
|---------|---|
| DXPPS | Pan Stop |
| DXPEMB | Personalized Embossment (12 letters per line) |
| DXPV | Vertical Bumpers |
| DXPR | Rotating Bumper |

| ITEM NO | DESCRIPTION |
|---------|------------------------------------|
| DXPWB | Wheel Brakes (set of 2) |
| DXPY5 | 5" Polyurethane Casters (set of 4) |
| DXPWD | Fully Welded |

Please confirm that you have the most current specification sheet by visiting www.dinex.com.

It is Dinex's policy to offer equipment which is design certified by companies that have been accredited at the federal level by the Occupational Safety and Health Agency (OSHA) and ANSI as a national recognized testing laboratory. These companies include CSA International, Underwriters Laboratories, Edison Testing Laboratories and National Sanitation Foundation. However, a continuing program of product improvement makes it necessary to submit new models to the agencies as they are developed. Consequently, all models may not bear the appropriate labels at all times.

Dinex reserves the right to change specifications and product design without notice. Such revisions do not entitle the buyer to corresponding changes, improvements, additions or replacements for previously purchased equipment.



DINEX®

4711 E. Hefner Road
Oklahoma City, OK 73131
800.654.8210 | 405.475.5600
www.dinex.com