

## COMBINATION HEATED BASE AND PLATE DISPENSERS



### Item Numbers

□ DXIDPWB20900



### Application

The combination convected air heated plate and wax base dispenser is ideal for the smaller facilities that do not have the room for two separate units.

### Construction

The exterior is constructed of 18-gauge 300 stainless steel. The inner wall of the cabinet is constructed of .063 high strength aluminum. All sides and top of cabinet are insulated with superior rated insulation for heat retention and energy efficiency. The cabinet is mounted on four 3½" exclusive Dinex Performa swivel casters (two with brakes) with non-marking cushion tread wheel.

### Heating System

Each compartment has a dedicated heating system. The heating system is thermostatically controlled, using forced air with a 1600-watt element to heat each cabinet interior compartment for a combined 3200 watts. Both compartments have a temperature range of 140°F to 330°F (60°C to 166°C) and are both programmable. Unit is 208/240 Volt, 60 Hz, 1 Phase and features a 10' long 20 AMP power cord and NEMA 6-20P plug.

### Dispenser

Self-Leveling dispenser mechanisms are constructed of 304 stainless steel featuring springs that are isolated to protect from excessive and prolonged heat and therefore premature stretching. Springs are field adjustable without tools to accommodate a wide variety of plates. One silo accommodates plate sizes 7.5" (19 cm) to 10.25" (26 cm) in diameter and is factory set for the Dinex 9" plate. The other silo is factory set for the 9" Dinex wax bases.

### Programmability

A simple controller allows one to adjust the plate silo cavity temperatures from 140°F to 330°F (60°C to 166°C). It is factory preset for 210°F (99°C) for the first 90 minutes, then drops to 180°F (82°C). The base silo cavity is adjustable from 140°F to 330°F (60°C to 166°C). It is factory preset and remains at 330°F (166°C) for the Dinex wax base.

### Capacity

- The plate silo holds the large capacity of 75 Dinex 9" plates.
- The base silo holds 60 Dinex wax bases.

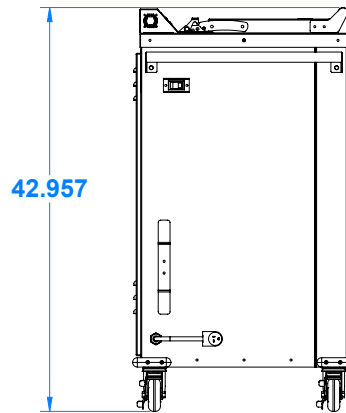
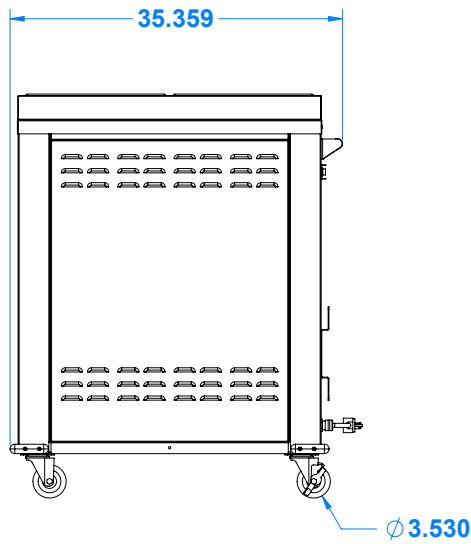
### Maintenance/Safety

Features latchless hinged lids for maximum convenience. Safety open lid catch prevents accidental lid closure. Casters have sealed bearings for low maintenance and increased maneuverability. Springs are certified and specially tempered to minimize spring adjustments over time. Units feature a 10' cord and cord wrap for layout changes and flexibility. Silos are removable and springs are adjustable without tools

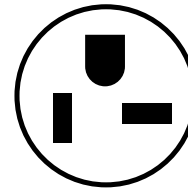
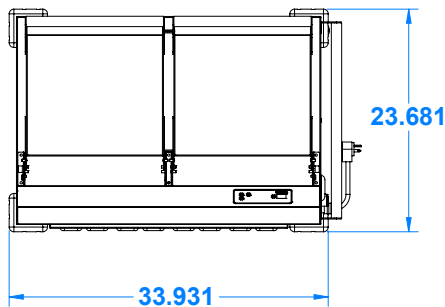
### Warranty

One year parts and labor.

# COMBINATION HEATED BASE AND PLATE DISPENSERS



TOP VIEW



Nema 6-20P

## Items and Dimensions

ITEM NUMBER	MODEL NUMBER	LENGTH	DEPTH	HEIGHT	CASTERS		ELECTRICAL SPECIFICATIONS			SHIP WEIGHT	SHIP CUBE	NEMA PLUG
					TYPE	DIA.	WATT	AMP. (at 208V)	VOLTS			
DXIDPWB20900	IDPWB20900	35.36" (89.8 cm)	23.68" (60.1 cm)	42.96" (109.2 cm)	4 Swivel 2 w/brake	3 1/2"	3200	15.4	208/240 60 HZ	260 lb (117.9 kg)	21.9	6-20p



Please confirm that you have the most current specification sheet by visiting [www.dinex.com](http://www.dinex.com).  
Dinex® reserves the right to change specifications and product design without notice.  
Such revisions do not entitle the buyer to corresponding changes, improvements, additions or replacements for previously purchased equipment.

Printed in USA



4711 E. Hefner Road  
Oklahoma City, OK 73131  
800.654.8210 Fax: 405.475.5607  
[www.dinex.com](http://www.dinex.com)

103-CombHeatBasePlateDisp-Rev 2/11